

Lincoln Power Strip

Installation Instructions

Included in the package:

- Power Strip
- Mounting Hardware

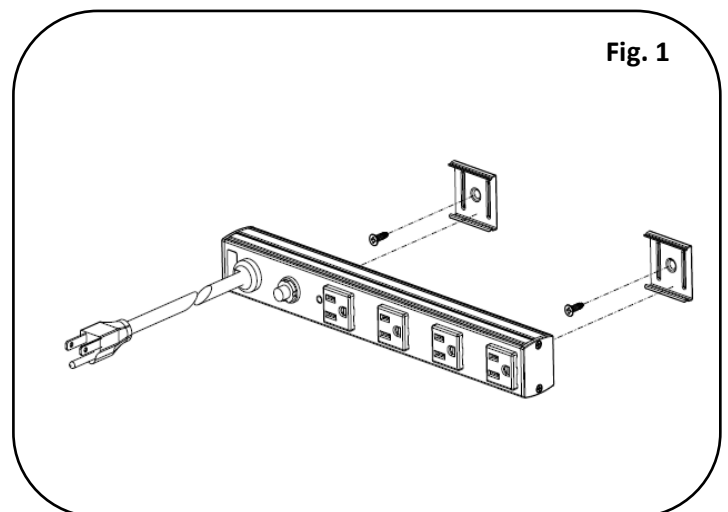
Tools required:

- Philips Screwdriver
- Level (optional)

Wood Screw Installation:

Note: Location of brackets should be placed approximately 1" from the end of the power strip.

1. Attach mounting brackets to wood surface with provided screws. Use a level to ensure both brackets are mounted level.
2. Clip power strip onto brackets. Plug in to AC power.



A Furniture Power Distribution Unit is not for permanent installation as part of the building structure and not for mounting in a permanently installed furnishing such as a fixed countertop.