

Installation Instructions

Clamp Mount Variation

Included in Package:

- PDU Unit
- 2x Thumb Screws

How to Install:

1. Slide unit mount onto edge of surface. (Fig. 1)
2. Tighten thumb screws on underside of the surface. (Fig. 2)
3. Plug in the unit.

Under Surface Mount Variation

Included in Package:

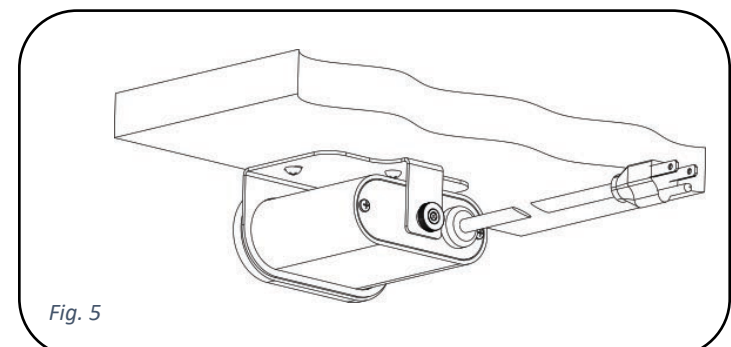
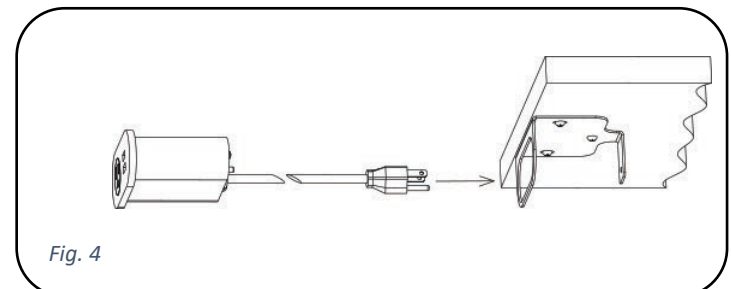
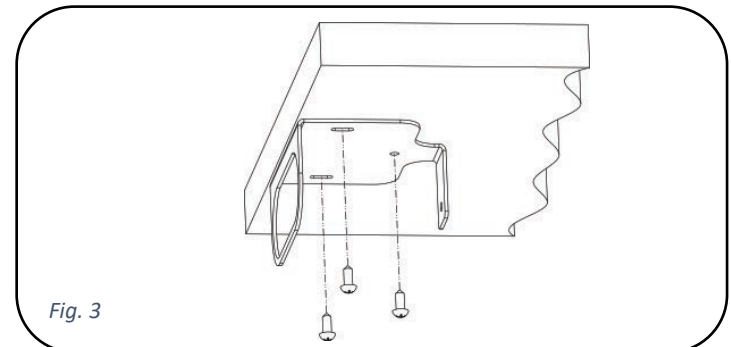
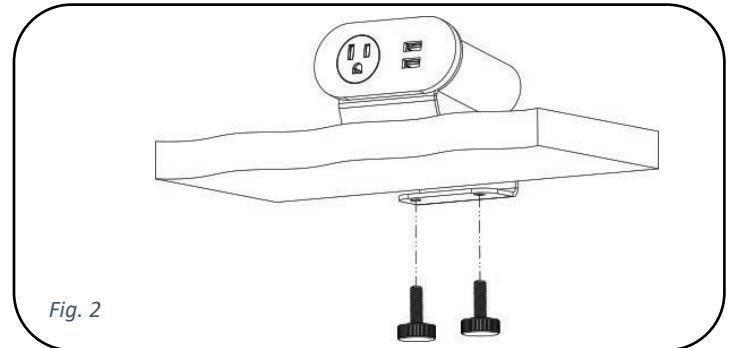
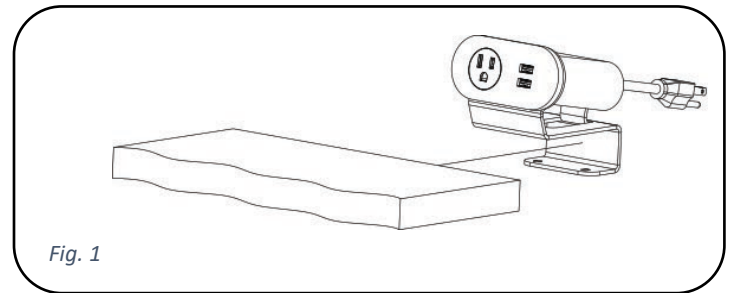
- PDU Unit
- Mounting Bracket
- 3x #10 Wood Screws
- 1x Plastic Thumb Nut

Tools Needed:

- Phillips head screwdriver
- Pilot drill bit (optional)
- Drill

How to Install:

1. With two of the provided screws, attach the mounting bracket to the underside of the surface in the location desired, utilizing the two slotted holes. (Fig. 3) Do not fully tighten screws.
2. Adjust the mounting bracket into its final position and drive in the third screw through the remaining hole (Fig. 3). Tighten all screws.
3. Feed unit through the mounting bracket making sure to pass the threaded stud on the back of the unit through the hole in the back of the bracket (Fig. 4). Secure the unit to the mounting bracket with provided thumb nut. (Fig. 5). Plug the unit in.



In-Surface Mount Variation:

Included in Package:

- PDU Unit
- Mounting Bracket
- 1x Plastic Thumb Nut

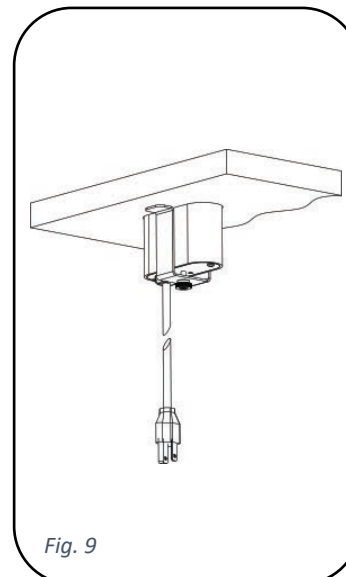
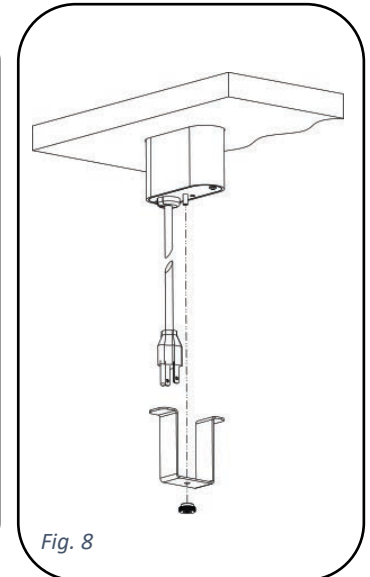
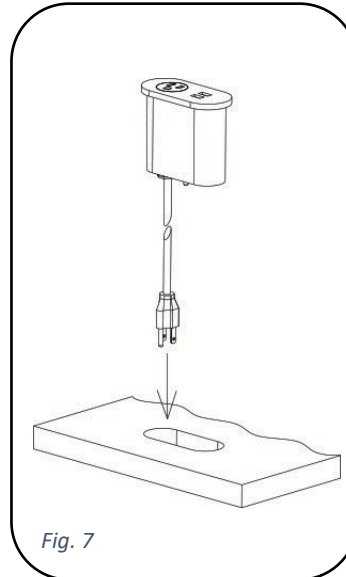
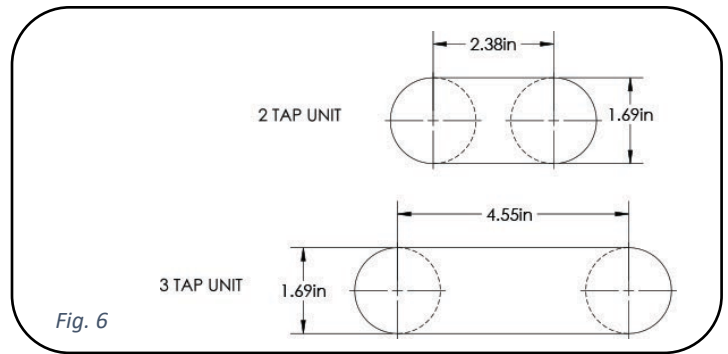
Tools Needed:

- 1-11/16" hole saw
- Jig saw

How to Install:

In-Surface mount can be installed in both horizontal and vertical surfaces.

1. Identify the desired location for the unit and using a hole saw, cut out the respective shape (Fig. 6) into the surface.
2. Feed the cord through the surface and seat unit into position (Fig. 7).
3. From the back, slide the mounting bracket over the unit, feeding the threaded stud through the hole in the bracket (Fig. 8).
4. Tighten the provided thumb nut, securing the unit in place (Fig. 9).
5. Plug in the unit.



WARNING

No user serviceable parts. **For use in dry locations. To reduce the risk of electric shock- use only indoors.**

ATTENTION: Pour réduire le risque d'électrocution, utilisez uniquement à l'intérieur. Utiliser uniquement dans des endroits secs.

FCC Compliance

This device complies with Part 15 of the FCC Rules. Operation is subject to the following two conditions: (1) This device may not cause harmful interference, and (2) this device must accept any interference received, including interference that may cause undesired operation. This Class A digital apparatus complies with CanCet appareil numérisé de la classe A est conforme à la norme NMB-003 du Canada.

Assemblies are not intended for industrial/commercial applications in Canada. (CSA 308 pg. 13 defines commercial/industrial as "factories, garages, construction sites")