

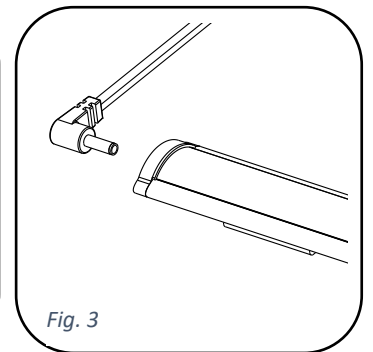
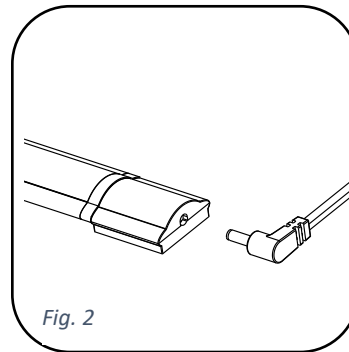
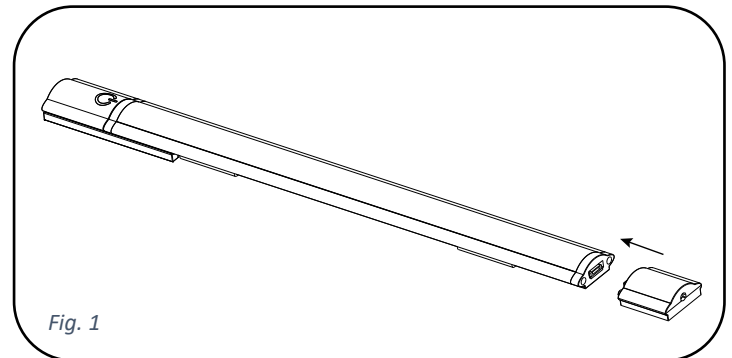
Installation instructions for interlinking existing fixtures with 2025 design fixtures

Included in Package:

- Adapter component

Interlinking Existing Starter Fixture with 2025 Adder Fixtures

1. Plug the adapter into the end of the existing starter fixture. (Fig. 1)
2. Plug the interconnect cord into the barrel jack end of the adapter. (Fig. 2)
3. Plug the other end of the interconnect cord into the new adder fixture. (Fig. 3)
4. Plug DC cord to the on/off/dimmer end of the fixture and route to the power supply.
5. Plug power supply into 120V, 60Hz grounded outlet.



Interlinking 2025 Starter Fixture with Existing Adder Fixtures

1. Plug the interconnect cord into the non-switch end of the new starter fixture. (Fig. 4)
2. Plug the other end of the interconnect cord into the barrel jack end of the adapter. (Fig. 5)
3. Plug the adapter into the corresponding end of the existing adder fixture. (Fig. 6)
4. Plug DC cord to the on/off/dimmer end of the fixture and route to the power supply.
5. Plug power supply into 120V, 60Hz grounded outlet.

