

Bea planter

instructions

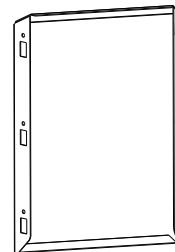
Note:

- Planter is not intended to be used without a watertight liner (not included). A standard 5-gallon pail works well with the 15" and 20" tall planters.
- Do not fill directly with soil or other planting materials
- Remove any potted plants before attempting to move the planter
- Lift (do not drag) the planter to move across surfaces (may require two people)

Limited Warranty - 1 year

Product is warranted to be free of defects in material and workmanship. The 1 year warranty also applies to UV fading of the powder coat finish. Scratches from normal wear and tear are not warranted.

Included in package:

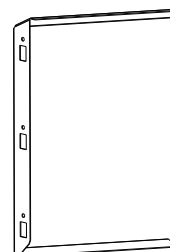
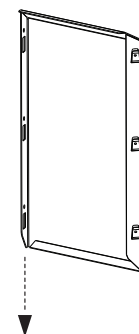


6X panels

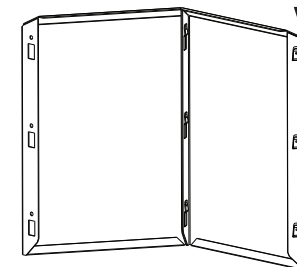
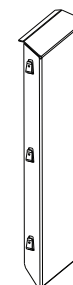


planter bottom

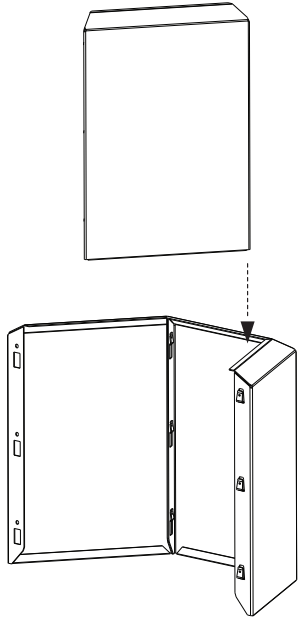
Step 1



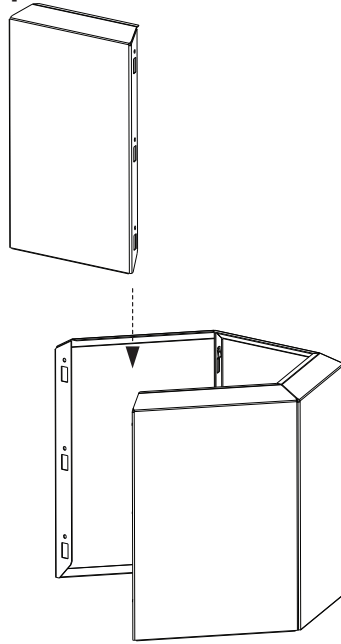
Step 2



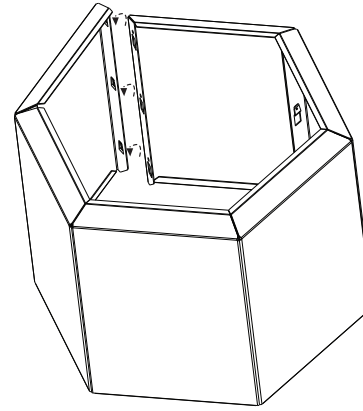
Step 3



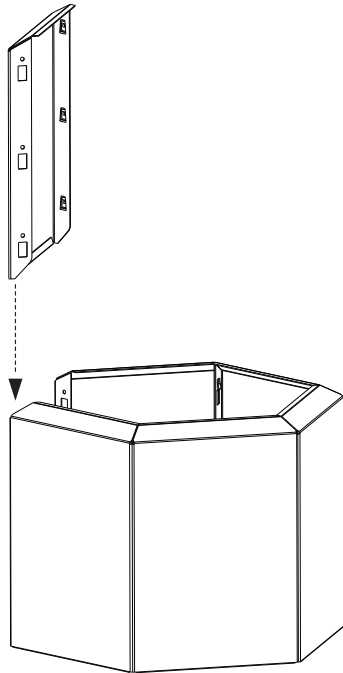
Step 4



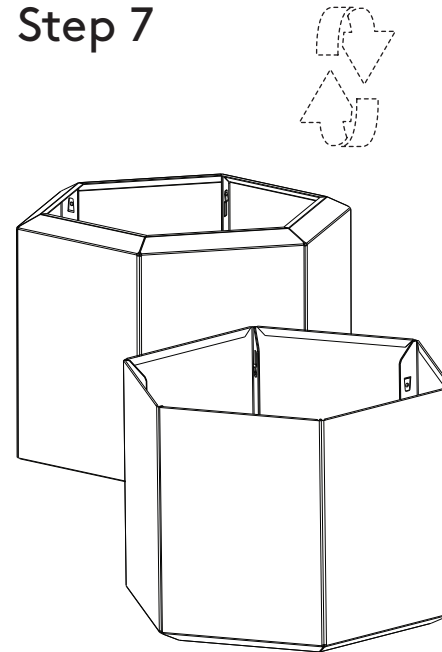
Step 6



Step 5



Step 7



Step 8

